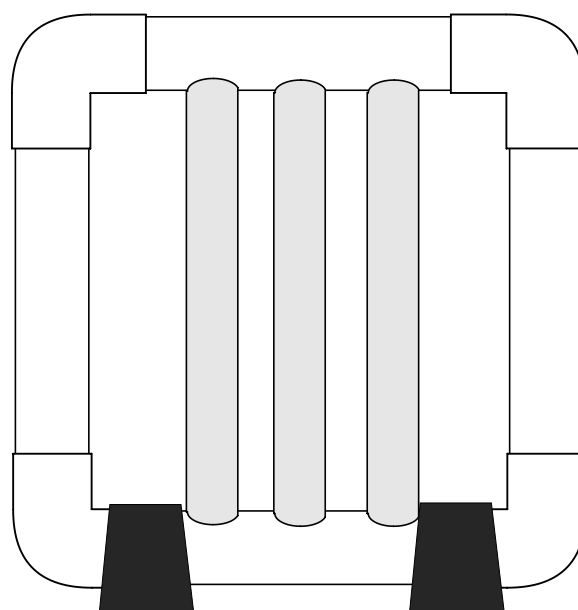
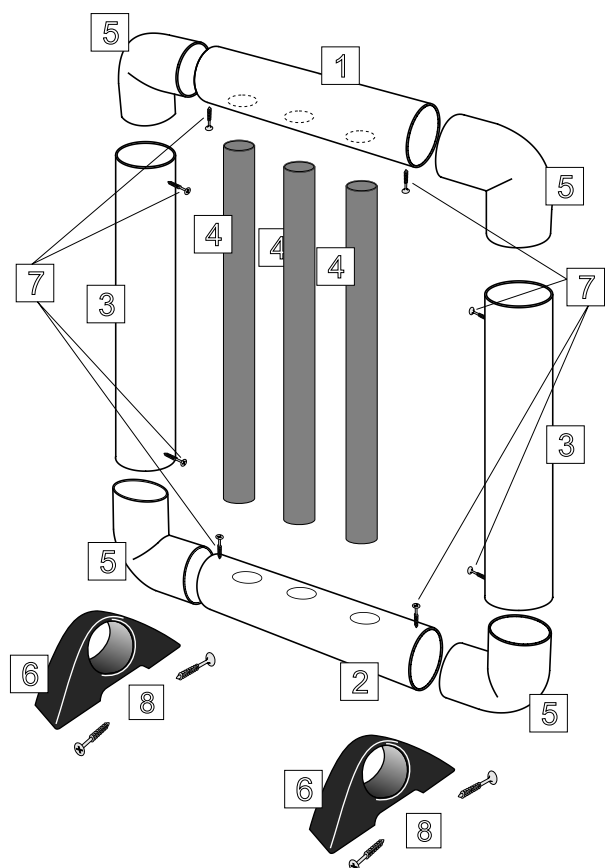


MEDIUM FILLER



	<i>Material</i>	<i>Measure</i>	<i>Quantity</i>
1	75 mm plast TOP	960	1
2	75 mm plast UNDER	960	1
3	75 mm plast SIDE	470	2
4	50 mm plast SLATS	550	3
5	Corner	-	4
6	Rubberfeet	-	2
7	Screw	3,5×12	8
8	Screw with plate	4×20	4

