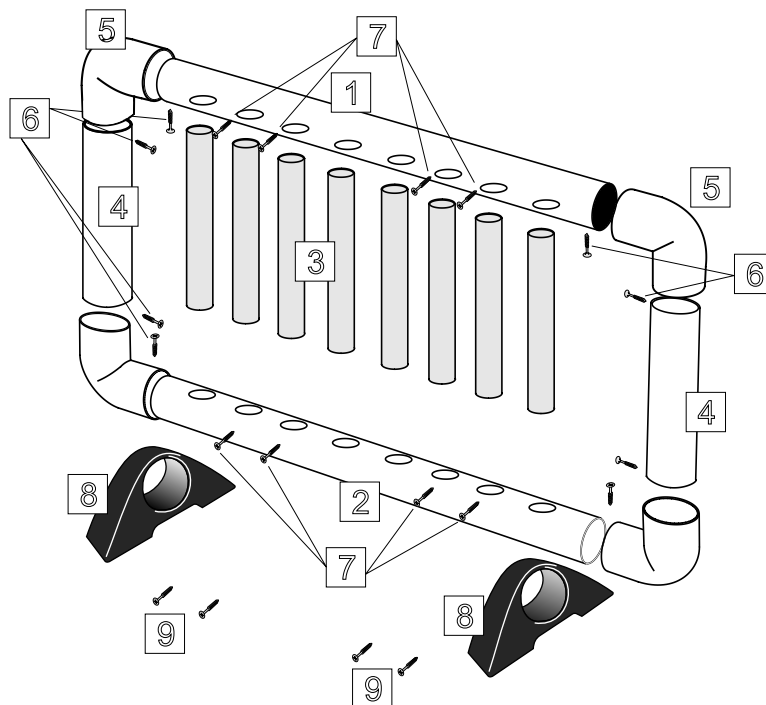
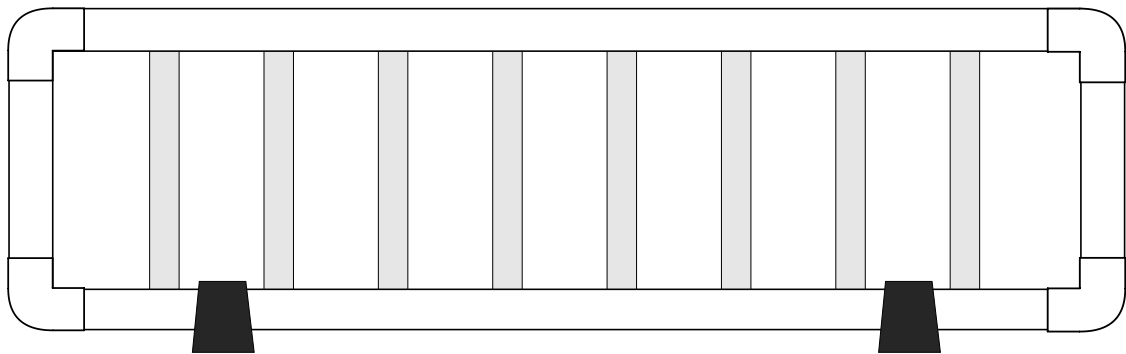


# LARGE FILLER



<i>Material</i>	<i>Measure</i>	<i>Quantity</i>
1 75 mm plast TOP	2250	1
2 75 mm plast UNDER	2250	1
3 75 mm plast Short side	470	2
4 50 mm Slats	550	8
5 Corner	-	4
6 Screw	3,5×12	8
7 Screw	3,5×16	8
8 Rubberfeet	-	2
9 Screw with plate	4×20	4

